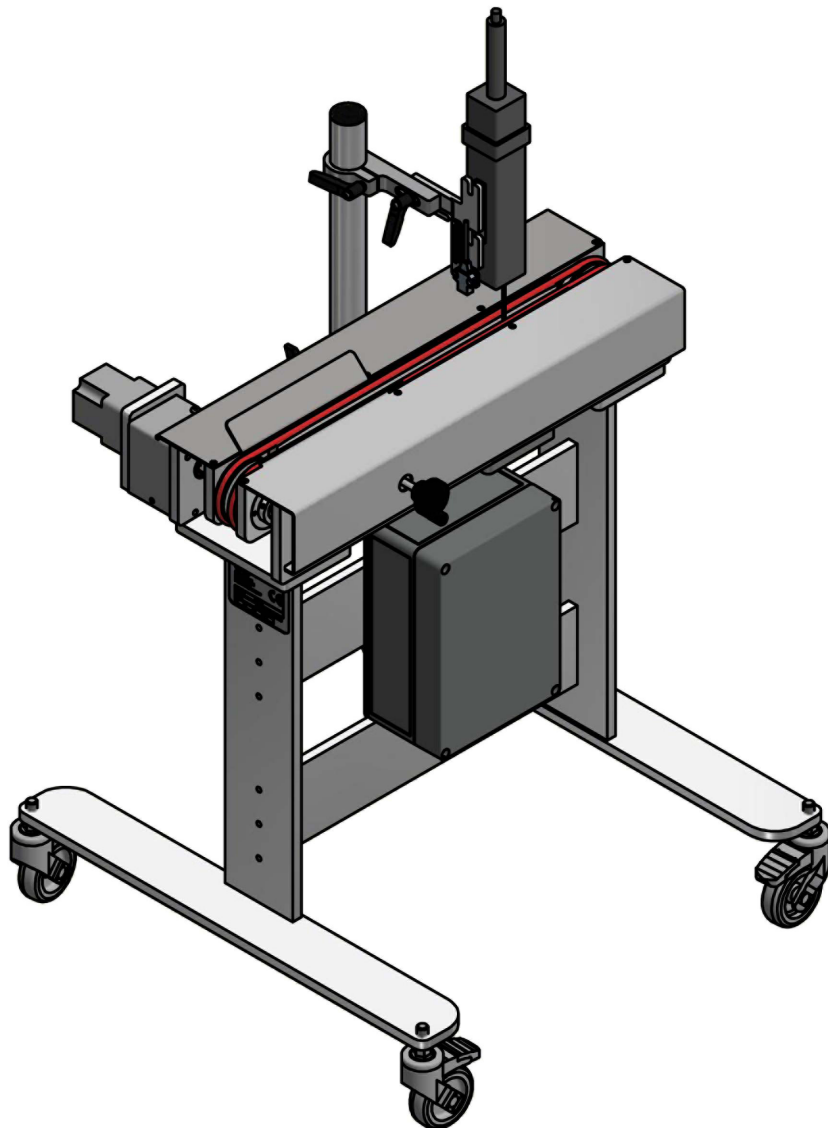


## MultiPRINT™ Standalone Printing Systems



### Model 095

- Designed to accommodate round products .75" - 1.25" in diameter.
- Minimal setup and very quick changeover.
- Manual infeed and outfeed.
- Includes a print head bracket customized to the customer printer.
- Includes a sensor to trigger the printer.

**ONLINE** Engineering inc.