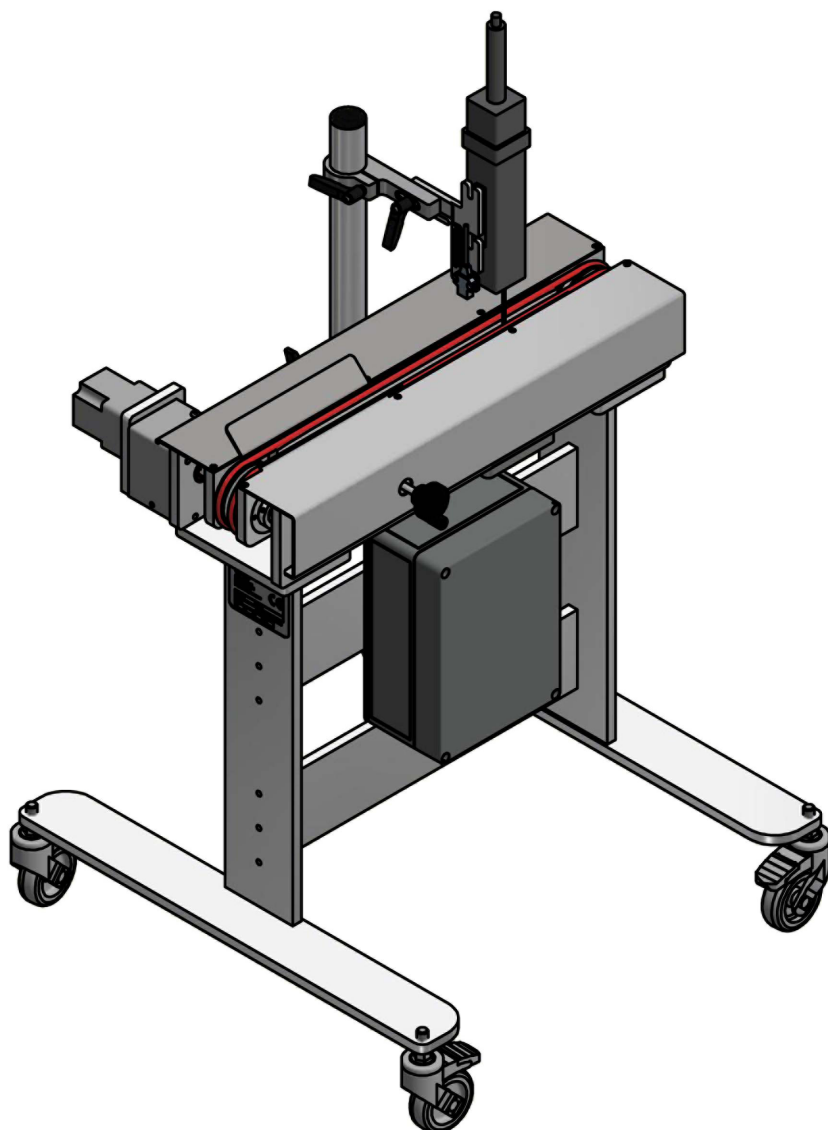


MultiPRINT™ Standalone Printing Systems



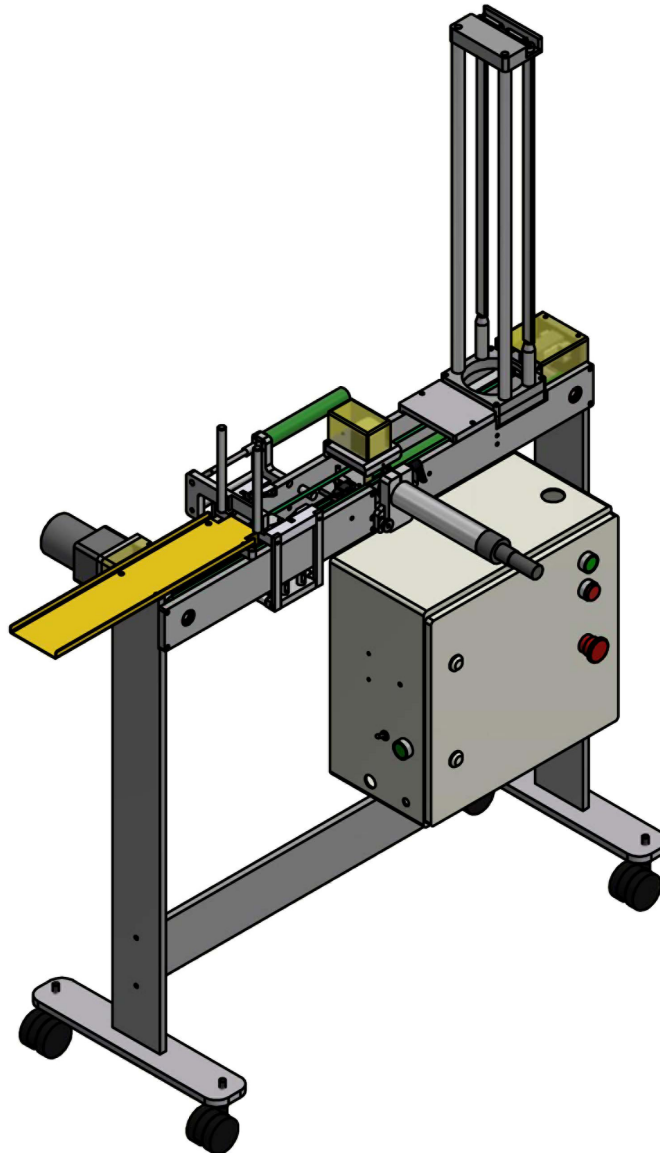
Model 095

- Designed to accommodate round products .75" - 1.25" in diameter.
- Minimal setup and very quick changeover.
- Manual infeed and outfeed.
- Includes a print head bracket customized to the customer printer.
- Includes a sensor to trigger the printer.

ONLINE

Engineering inc.

MultiPRINT™ Standalone Printing Systems



Model 097

- Designed to accommodate single sized plates, with a magazine capacity of 20.
- Minimal setup for ease of use.
- Manual infeed and outfeed of stacks
- Includes a print head bracket customized to the customer printer.
- Includes a sensor to trigger the printer.

ONLINE

Engineering inc.