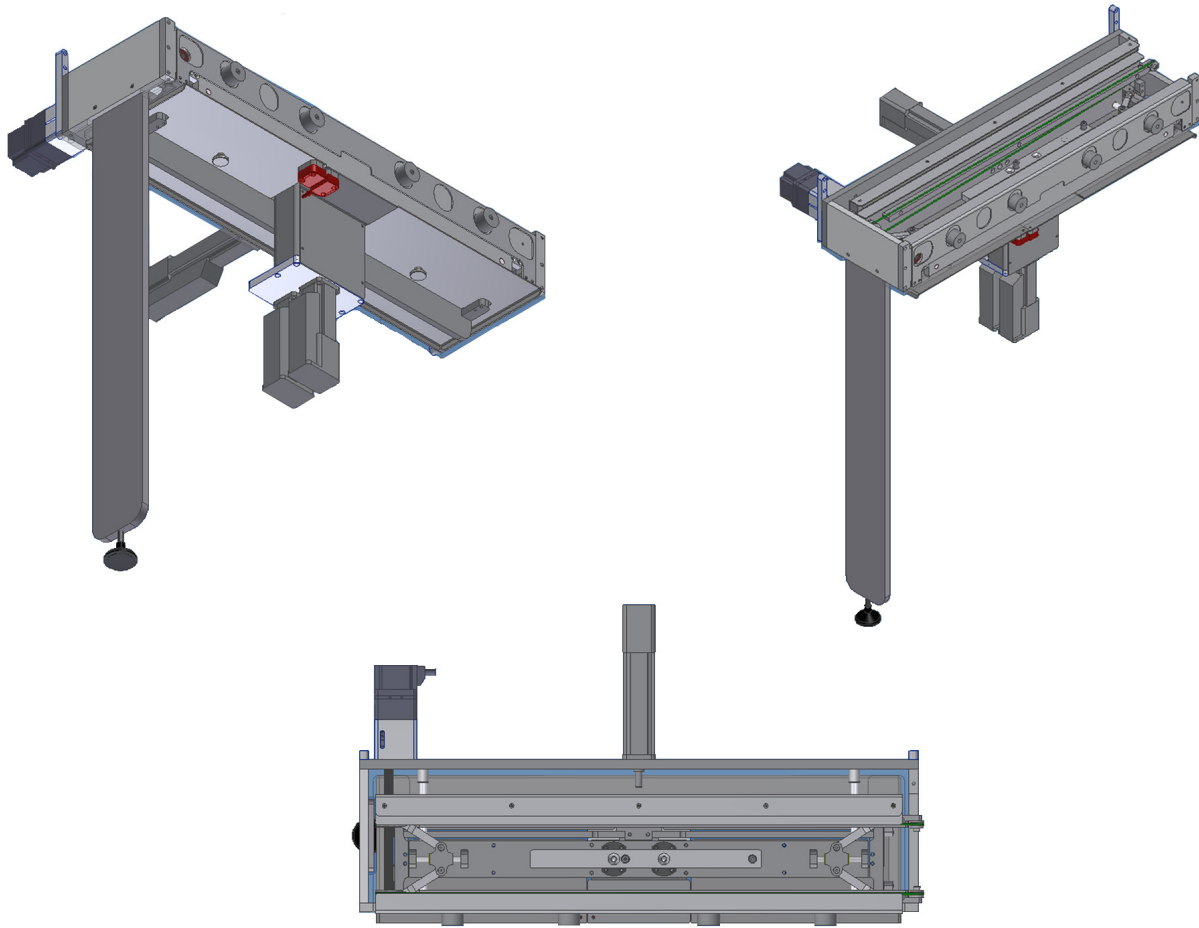


Servo Driven Stacker Retrofit



FEATURES

- Driven stack seats and cord belt speed control drastically reduces stacking errors.
- Reduces the risk of jams during stacker adjustment with the innovative new guide rod and drive shaft design. (MultiDISH™ stackers only.)
- Occupies the same footprint as existing stacker.
- Includes all sensors, servos, updated stacker guarding, wiring components, and controls update.
- Improves cleanability with an easily removable elevator plate and trap doors.

