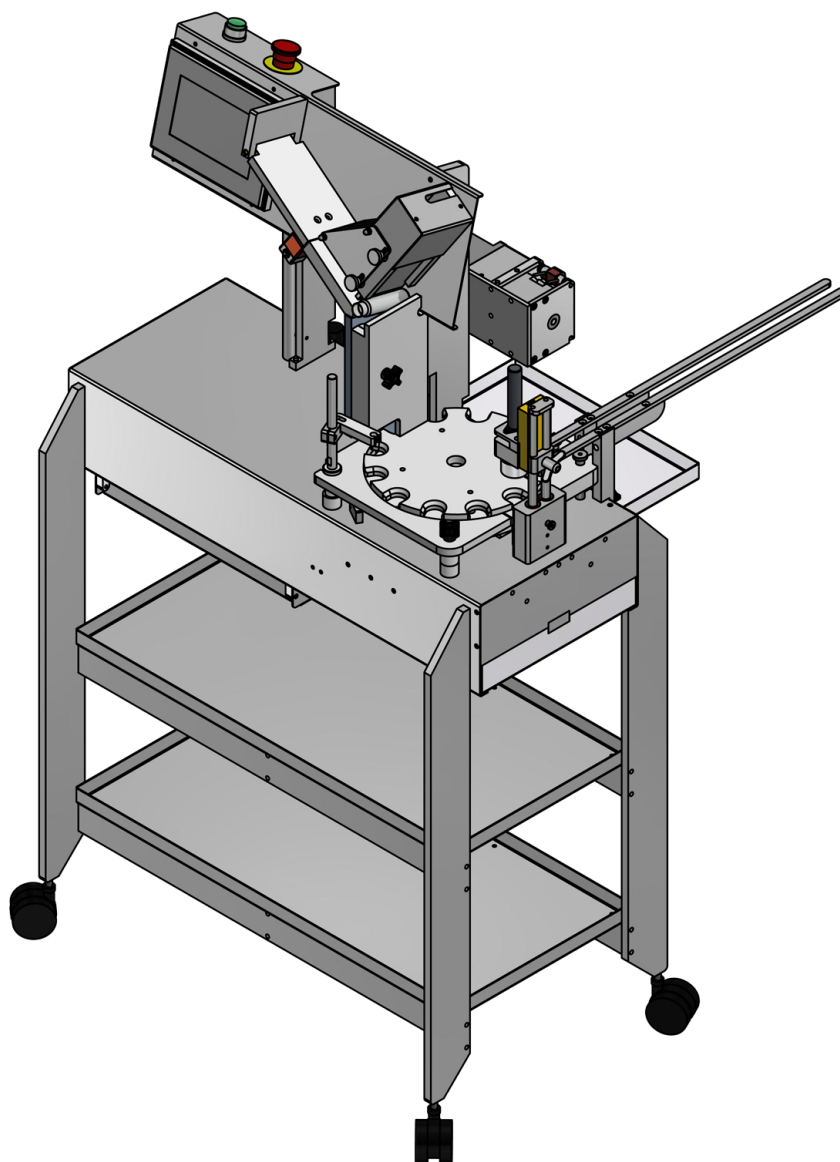


MultiFILL™ Tube and Vial Filling Machines



FEATURES

- Change parts packages for quick and simple change-over between tubes and/or vials
- Easy to load hopper
- Precision Peristaltic Pumps
- Automatic cap torquing
- Drop tray or rail style outfeed available.
- Hassle free self installation
- CE Certified

ONLINE

Engineering inc.

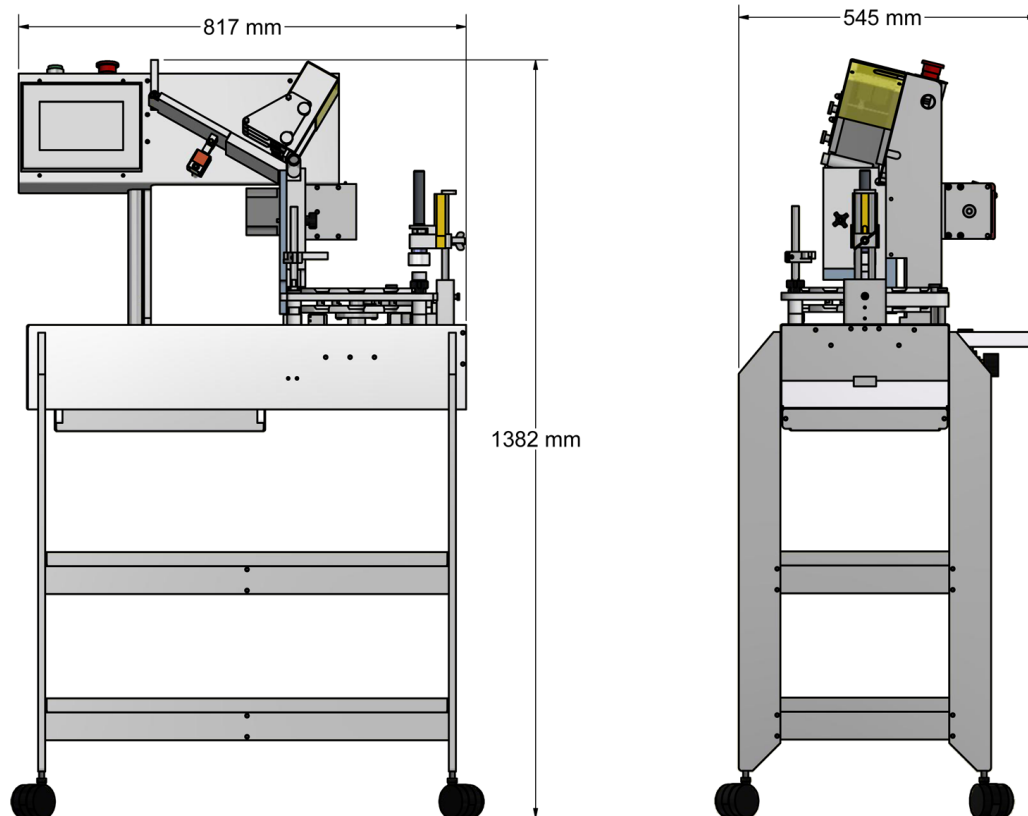
MultiFILL™ Tube and Vial Filling Machines

Specifications

- Pumps: Proprietary ONLINE peristaltic twin-track
- Operator Interface: Touch screen and button panel
- Controls: Siemens S7 series microprocessor, watchdog timers on all transfers, optical proximity, laser, and fiber optic sensors vacuum switch solid state control voltage 24VDC
- Services: 220 VAC, 50/60 Hz, 15 amps, 3.3kW compressed air, clean non-lubricated, 80 psig
- Construction: Stainless steel, aluminum, high-density polyethylene plastic, polycarbonate

System Functions

- Operator manually loads tubes into hopper
- Tube is placed for filling
- Liquid is dispensed to preset volume
- Operator places cap on tube
- Cap is torqued onto the tube
- Tube is transferred to the outfeed tray or rails
- Operator removes filled, capped tubes from outfeed



Model	Setup Configurations	Nominal Throughput (UPH)
114	Tubes Only	1800 maximum
124	Tubes and Vials	1800 maximum
134	Vials Only	1800 maximum

Throughput rates are for system options with the following parameters: auto-mode active.

ONLINE Engineering inc. is a global supplier of petri dish filling machines, test tube filling machines, bottle filling machines and other prepared media production equipment. We understand that a quick return on investment is important. Our goal is to provide quality equipment and service that significantly contribute to your success.

400 North Cedar St. • Manistique, MI 49854 • USA • Phone: 906-341-0090 • www.online-engineering.com