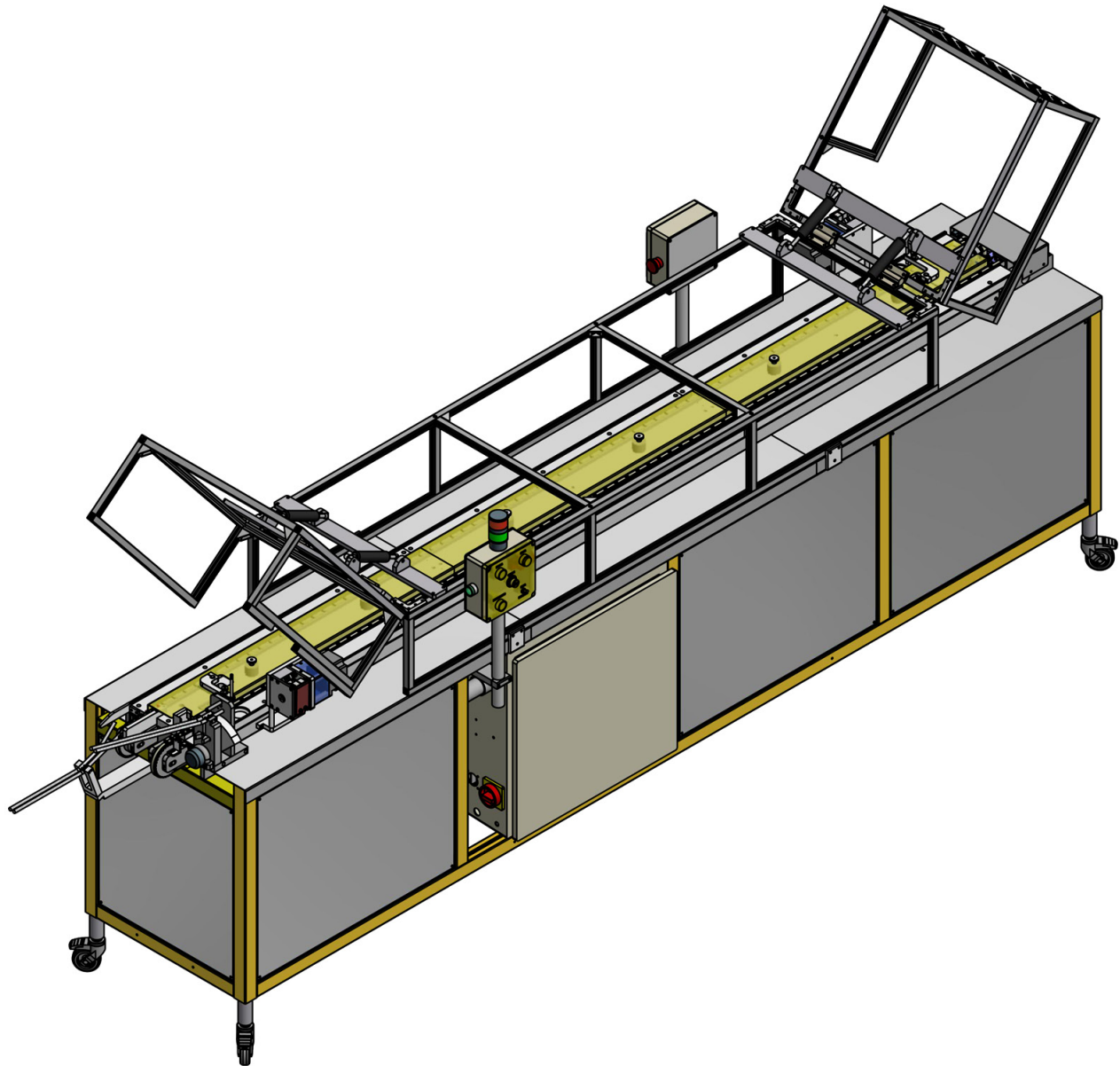


MultiFILL™ Dipslide Filling System



FEATURES

- Easy to load infeed slide
- Precision Peristaltic Pumps: No drips, no bubbles
- Convenient Additive System
- Integrated handling of multicavity slides
- Sterile Cooling Tunnel with HEPA Protection
- No hassel self installation
- Caster mounted system for mobility
- CE Certified

ONLINE

Engineering inc.

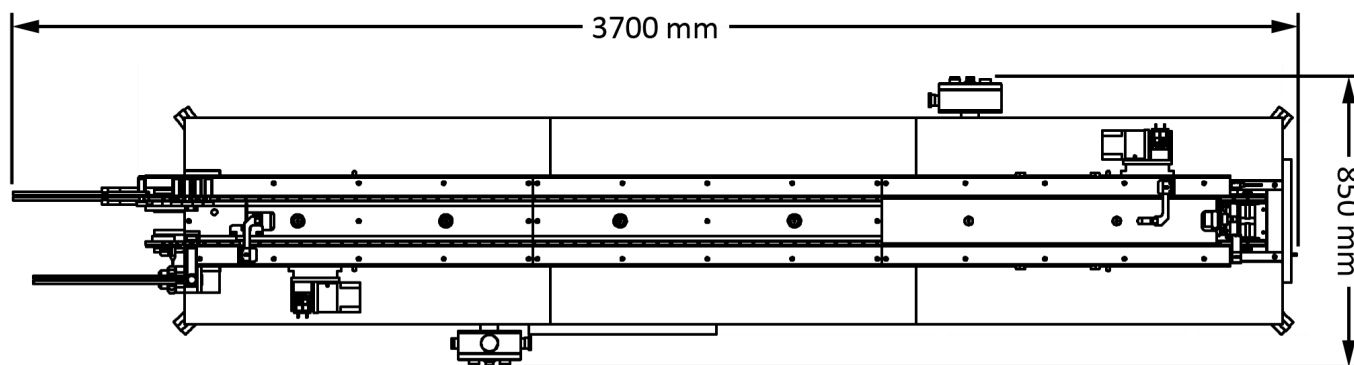
MultiFILL™ Dipslide Filling System

Specifications

- Pumps: Proprietary ONLINE peristaltic twin-track
- Operator Interface: Touch screen and button panel
- Controls: Siemens S7 series microprocessor,
Watch-dog timers on all transfers,
Optical proximity, laser, and fiber optic sensors
Vacuum switch Solid-state
Control Voltage 24VDC
- Services: 220 VAC, 50/60 Hz, 15 amps, 3.3kW
Compressed air, clean non-lubricated, 80 psig
- Construction: Stainless steel, aluminum, high-density polyethylene plastic, polycarbonate

System Functions

- Operator manually loads slides onto infeed rails
- Slide is positioned for filling
- Liquid is dispensed to preset volume
- Slide travels within protected tunnel to cool
- Slide is inverted for second side filling
- Slide travels within protected tunnel to cool side two
- Liquid is dispensed to preset volume in side two
- Slide is transferred to the outfeed rails
- Operator removes finished slides from the outfeed and places in vial



Model	Setup Configurations	Nominal Throughput (UPH)
112	Single or Multicavity Slides	1200 maximum

Throughput rates are for system options with the following parameters: 3.5 minute dry time.

ONLINE Engineering inc. is a global supplier of petri dish filling machines, test tube filling machines, bottle filling machines and other prepared media production equipment. We understand that a quick return-on-investment is important. Our goal is to provide quality equipment and service that significantly contribute to your success.

400 North Cedar St. • Manistique, MI 49854 • USA • Phone: 906-341-0090 • www.online-engineering.com